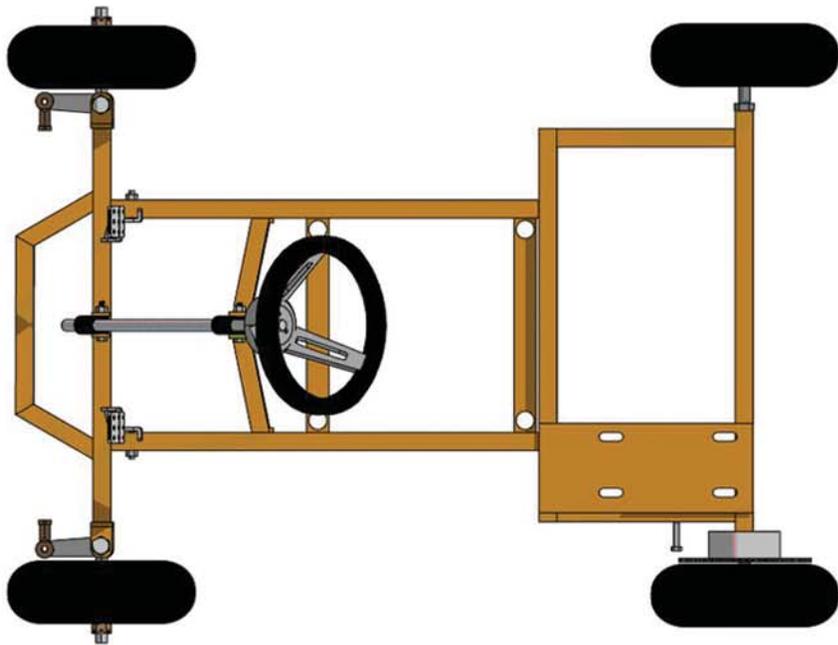
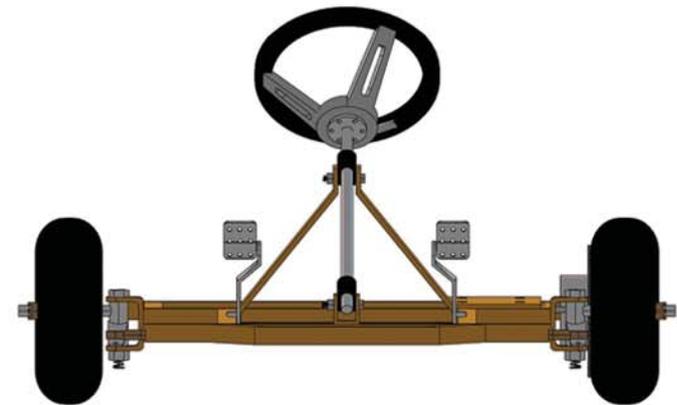
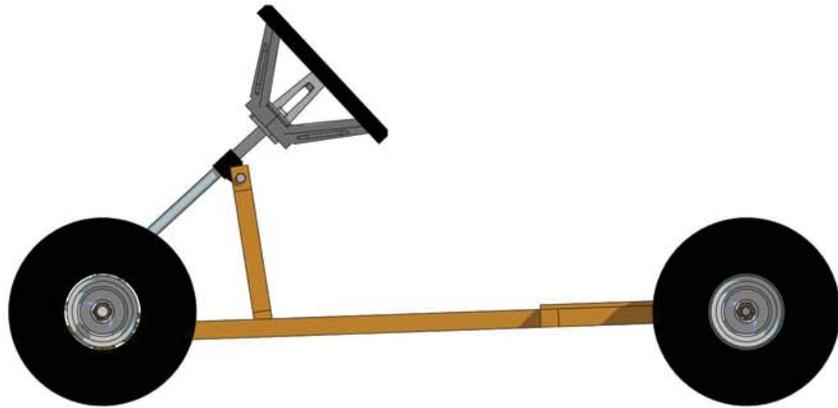


© 2007 Spidercarts

<b>SPIDERCARTS</b>			Ver.	0.1.2.6		Copyright is the property of Spidercarts and shall not be reproduced.
			Authorized	Robert Dicken		
	Itzy Bitzy Go Kart Plans				Qty-1	



Length	36"
Width	24"
Wheel Base	30"
Wheels Rear	4"
Wheels Front	4"
Tires Rear	10.5X3.5
Tires Front	10.5X3.5
Clearance	3.5" to Frame
Chassis	1" #14 Square
Weight	42 Pounds
Motor	3.0 hp Horz Shaft
Transmission	Centrifugal Clutch
Brakes	Band
Steering	Tie Rods/ Pitman

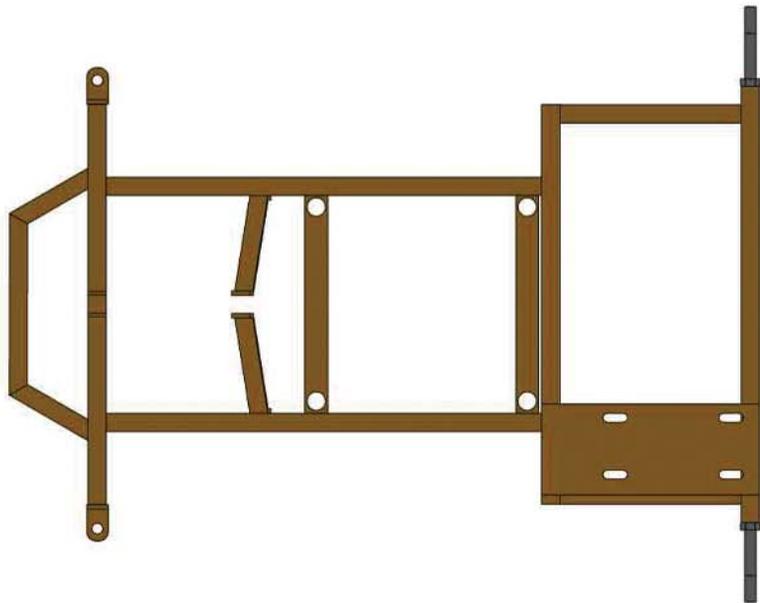
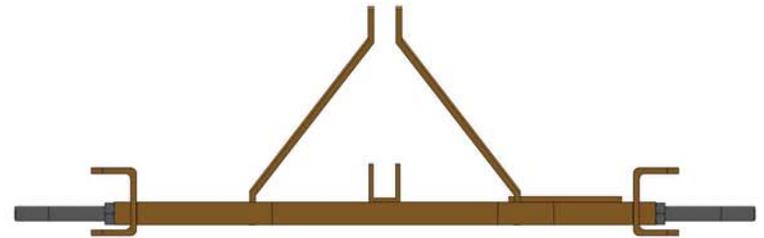
<b>SPIDERCARTS</b>	1		Ver.	0.1.2.6	Copyright is the property of Spidercarts and shall not be reproduced.
			Authorized	Robert Dicken	
	<b>Specifications</b>				

# Itzy Bitzy

Below are the materials needed to complete all the cutting, fabrication and welding portions of building your new kart. There is a lot more that needs to go on it after it is built such as bearings, tires and wheels, motor, etc.

- 14 - feet of 1" X 1" #14 gauge square tubing.
- 3 - feet of 1" X 1/8" flat stock
- 2 - Spindle Bracket
- 2 - 4" x 5/8 Inch Bolts
- 1 - Motor Mount Plate 5" X 12"

SPIDERCARTS			Ver.	0.1.2.6		Copyright is the property of Spidercarts and shall not be reproduced.
			Authorized	Robert Dicken		
			Material List		Qty	



<b>SPIDERCARTS</b>	2		Ver.	0.1.2.6	Copyright is the property of Spidercarts and shall not be reproduced.
			Authorized	Robert Dicken	
	Total Weld				

90° Angle Cut

90° Angle Cut

Side View



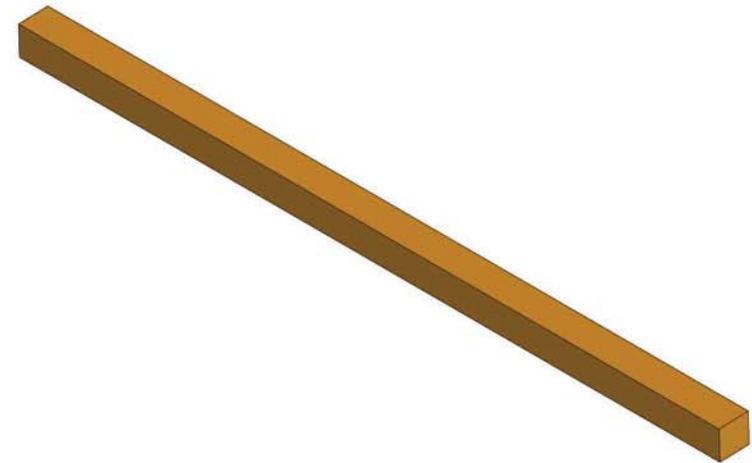
Notes

These are the back axle area of the motor section of your frame and the two sides. This is where if you think you want a longer kart, you will need to add your length to the side rails. So one cut at 24" and two cuts at whatever you think you need. If you are happy with the size we have then cut a 90° angle then measure 24" and cut another 90° angle. You will need 3 of these. This is Part Number IB-2490

Top View



Iso View



SPIDERCARTS	3		Ver.	0.1.2.6		Copyright is the property of Spidercarts and shall not be reproduced.
			Authorized	Robert Dicken		
	Parts / IB-2490			Qty-3		

90° Angle Cut

90° Angle Cut

Side View



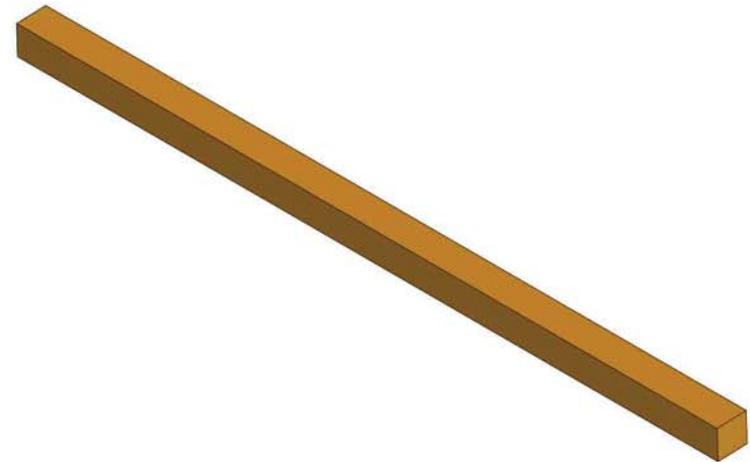
Notes

One is for the front of the motor section of your frame, and the other is for the very front end of the frame. Cut a 90° angle then measure 22" and cut another 90° angle. You will need 2 of these. This is Part Number IB-2290

Top View



Iso View

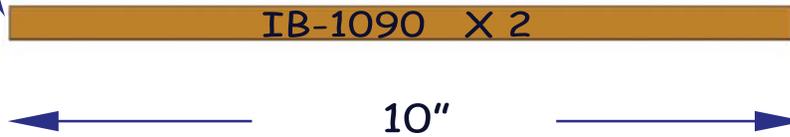


SPIDERCARTS	4		Ver.	0.1.2.6		Copyright is the property of Spidercarts and shall not be reproduced.
			Authorized	Robert Dicken		
	Parts / IB-2290			Qty-2		

90° Angle Cut

90° Angle Cut

Side View



Notes

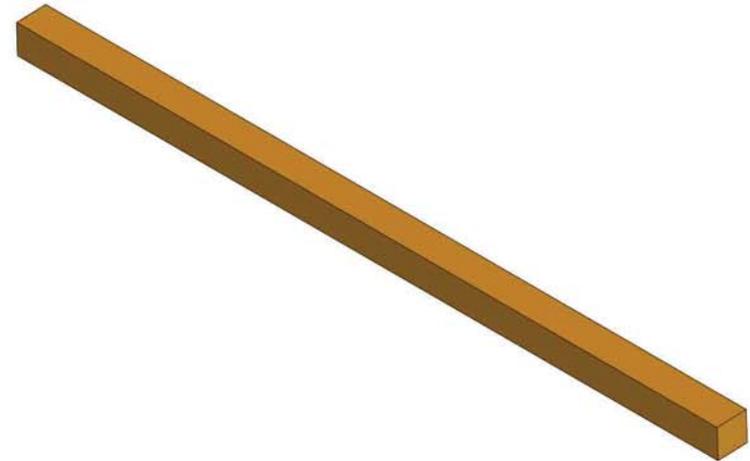
These are the sides for the motor section of your frame. Cut a 90° angle then measure 10" and cut another 90° angle. You will need 2 of these.

This is Part Number IB-1090

Top View



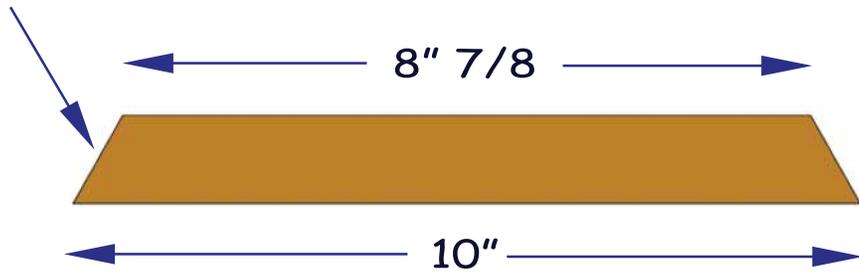
Iso View



SPIDERCARTS	5		Ver.	0.1.2.6		Copyright is the property of Spidercarts and shall not be reproduced.
			Authorized	Robert Dicken		
	Parts / IB-1090			Qty-2		

### Side View

30° Angle Cut



### Notes

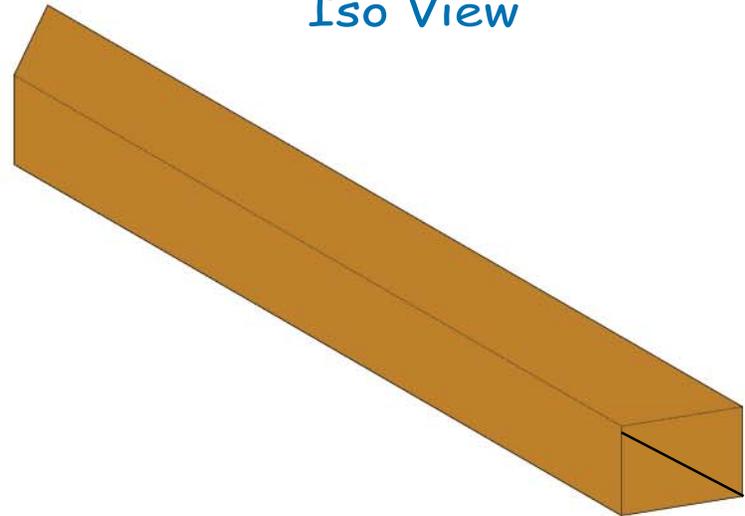
This is very close to the IB-530 but you will cut it to 10" instead of 5". We will use this for the front bumper. Just cut a 30° then measure 9" and cut another 30° but make it mirror the other side. Thats it! We will only need 1 of these.

This is Part Number IB-1030

### Top View



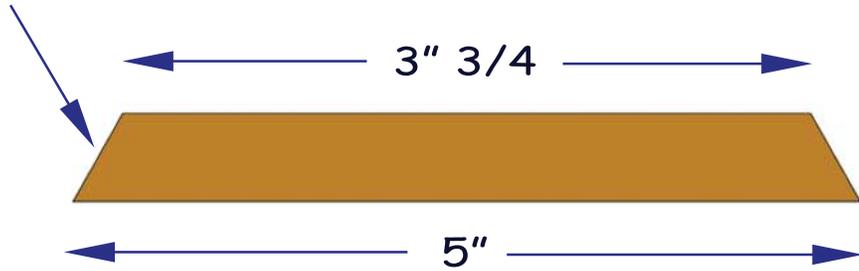
### Iso View



SPIDERCARTS	6		Ver.	0.1.2.6		Copyright is the property of Spidercarts and shall not be reproduced.
			Authorized	Robert Dicken		
	Parts / IB-1030			Qty-1		

### Side View

30° Angle Cut



### Notes

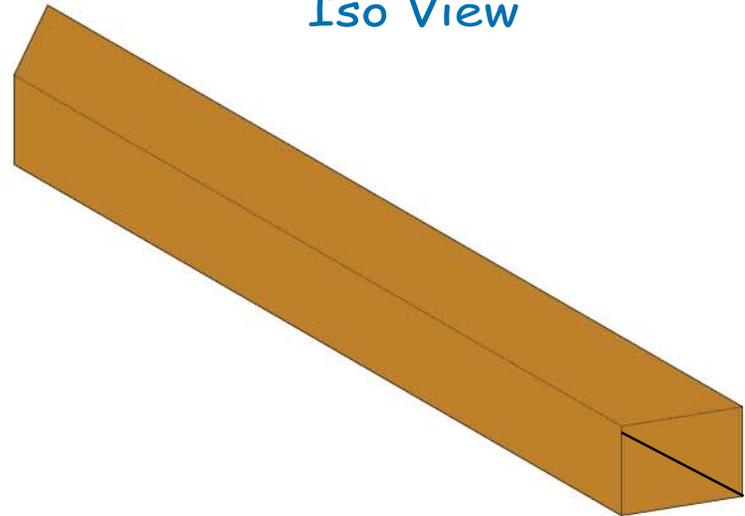
This is very close to the IB-1030 but you will cut it to 5" instead of 10". We will use this for sides of the front bumper. Just cut a 30° then measure 5" and cut another 30° but make it mirror the other side. Thats it! You will need 2 of these.

This is Part Number IB-530

### Top View



### Iso View



SPIDERCARTS	7		Ver.	0.1.2.6		Copyright is the property of Spidercarts and shall not be reproduced.
			Authorized	Robert Dicken		
	Parts / IB-530			Qty-2		

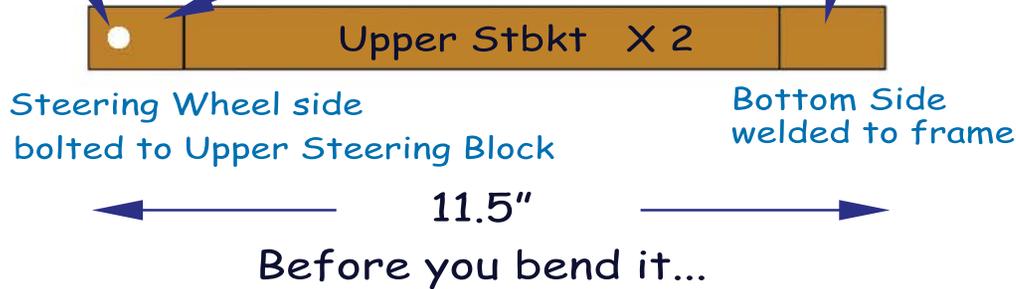
Drill 5/16" Hole Centered  
1/2" from end

1 1/2" Till Bend

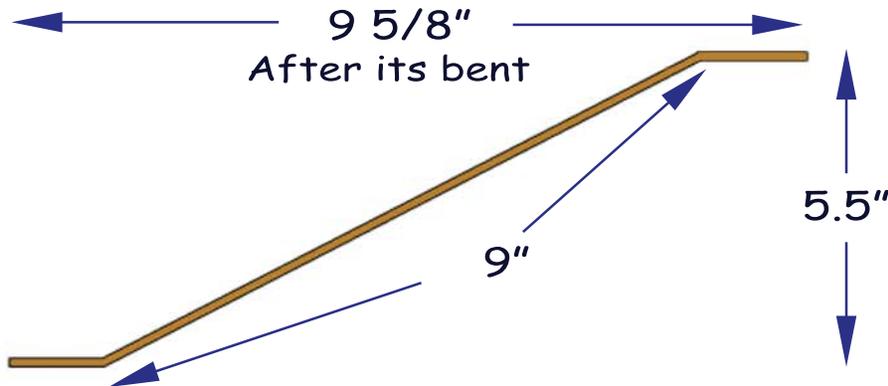
1" Till Bend Point

## Notes

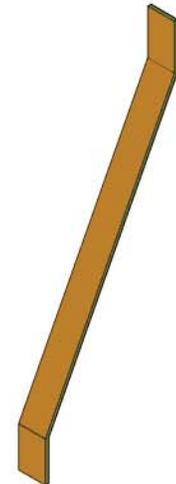
OK this is where we use that flat metal. It should be 1" wide and at least 3/16" thick. This will take a bit of fabrication and can be changed to fit your needs. I like to measure my points then cut the metal half way through where I need to bend it. After I bend it I run a weld bead where I cut it to give it strength again. Just a tip that works for me. You will need 2 of these. This is Part Number R-stbkt14



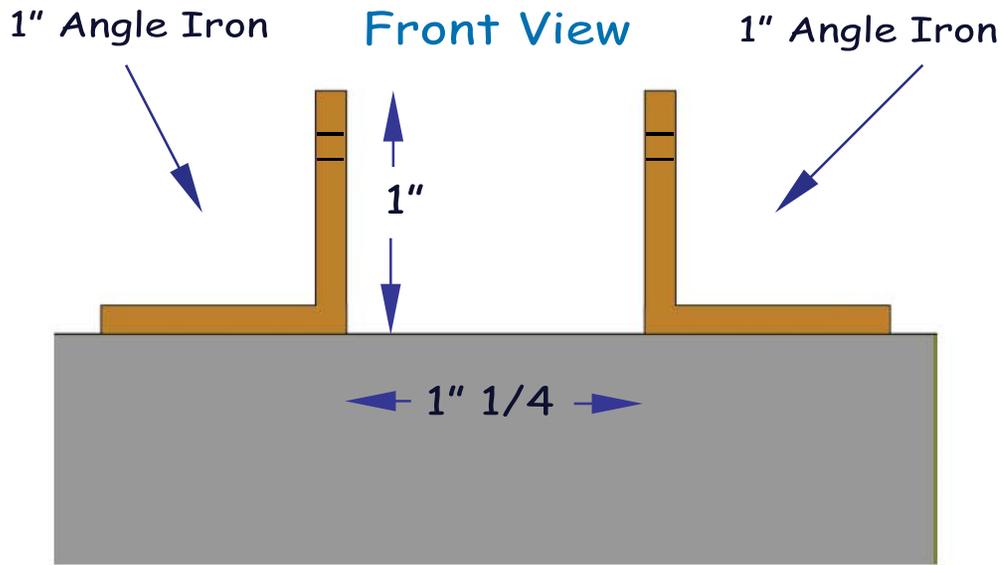
### Top View



### Iso View



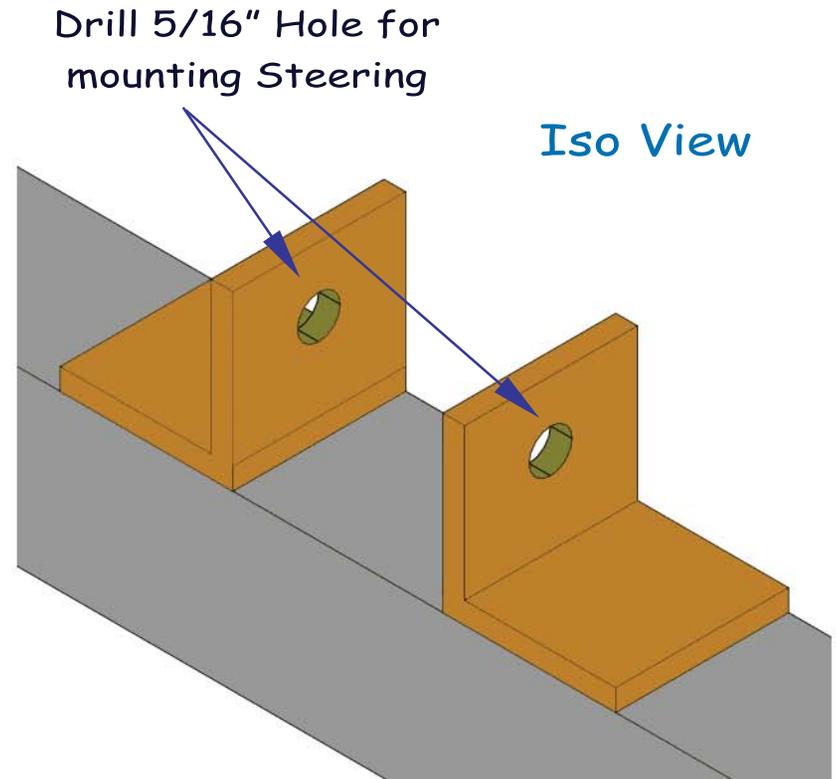
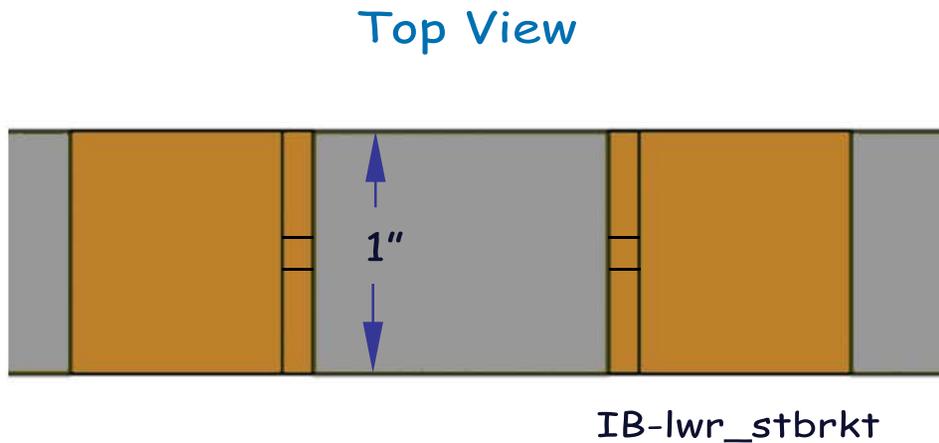
<b>SPIDERCARTS</b>	8	Ver.	0.1.2.6	Copyright is the property of Spidercarts and shall not be reproduced.
		Authorized	Robert Dicken	
	Parts / Upper Stbkt		Qty-2	



**Notes**

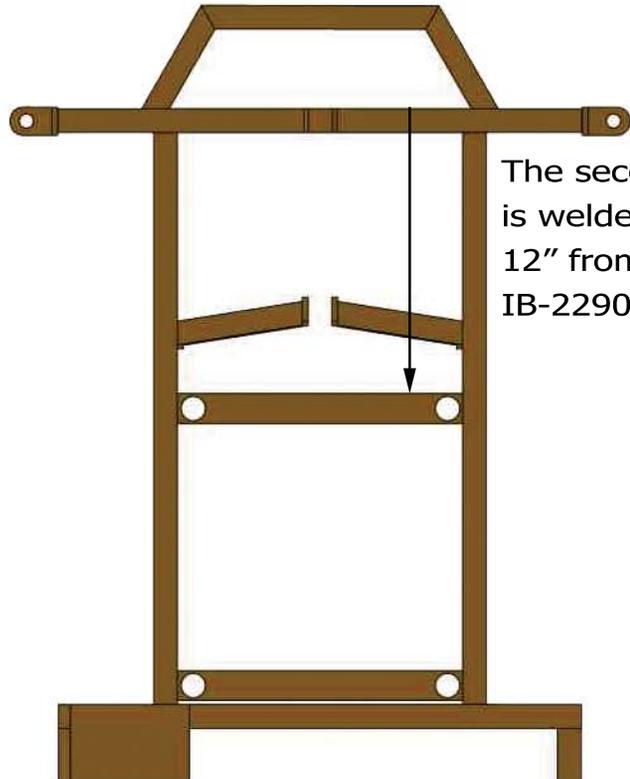
This is the lower steering bracket. I have been using a shock bracket from my supplier but if you want to save some money it is very easy to make. Take that piece of 1" angle iron and cut yourself two 1" sections. Then drill a 5/16 hole 11/32" from the top edge. These will weld right to the front IB-2290.

This is part number IB-lwr\_stbrkt.



<b>SPIDERCARTS</b>	9	Ver.	0.1.2.6	Copyright is the property of Spidercarts and shall not be reproduced.
		Authorized	Robert Dicken	
	Parts / IB-lwr_stbrkt		Qty-2	

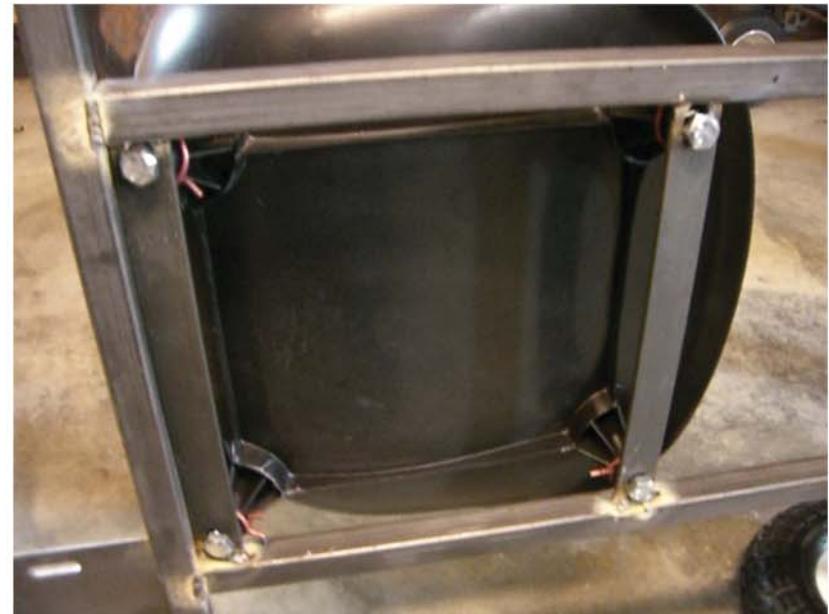
Original Hardware with  
the hangers cut off.



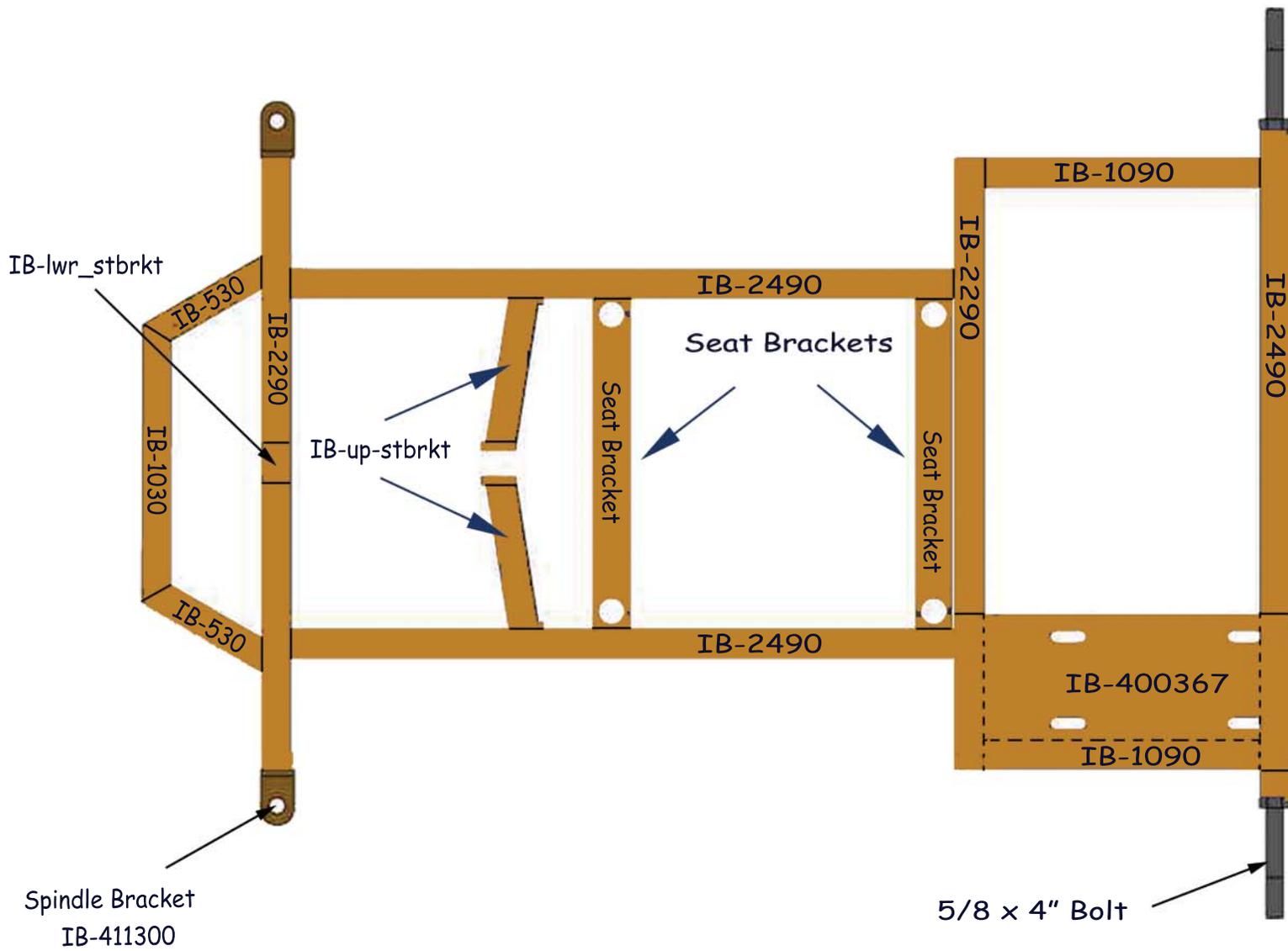
The second bracket  
is welded into place  
12" from the front  
IB-2290.

## Notes

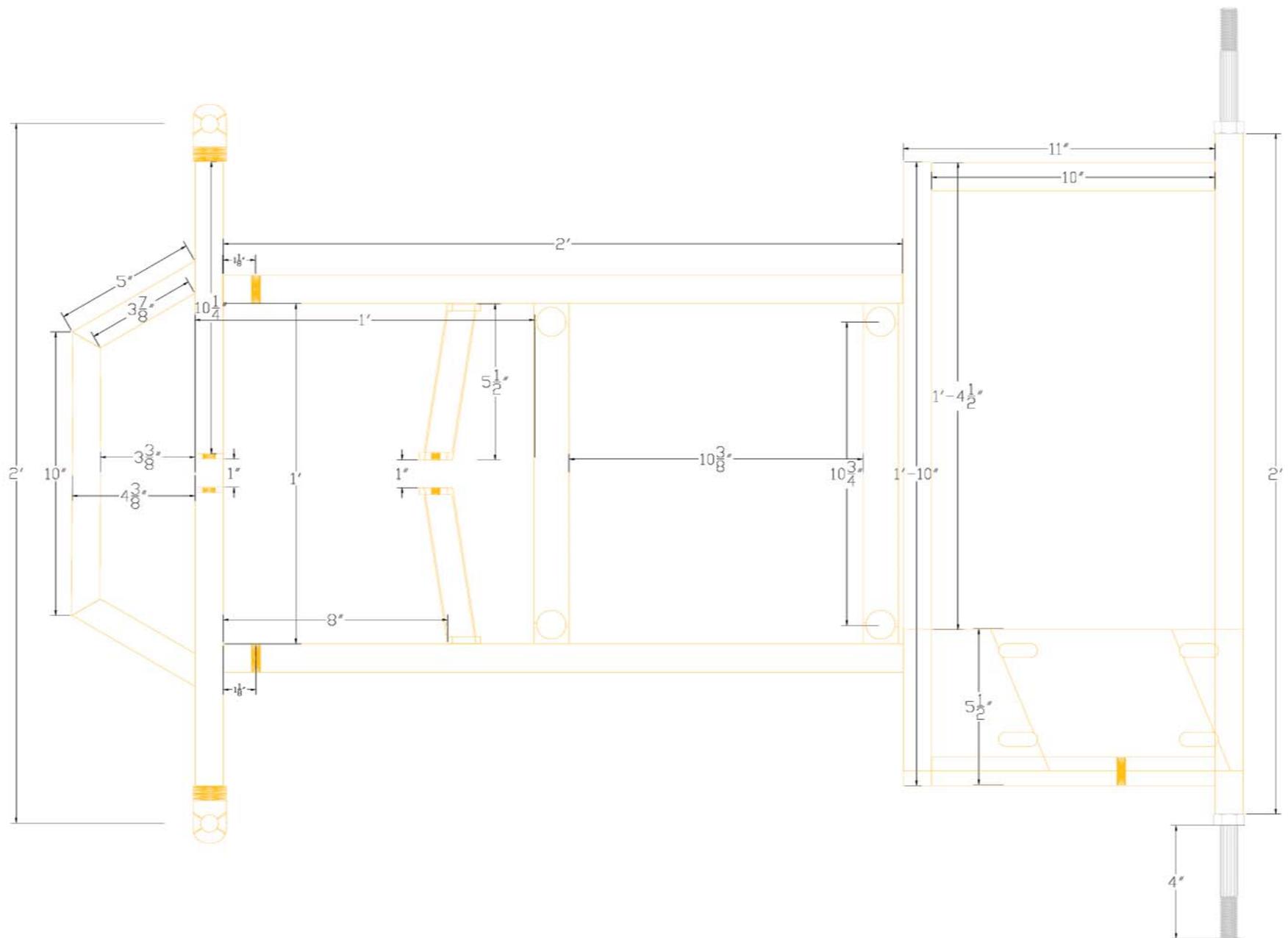
The seat brackets may be different depending on the type of seat you choose to use. The default space between the rails on the Itzy Bitzy is 12". Which was made that way to fit with this generic seat. It comes with two hangers which we just cut to 12" cutting off the hanger part and weld them into place leaving the mounting holes of course...



SPIDERCARTS	10		Ver.	0.1.2.6	Copyright is the property of Spidercarts and shall not be reproduced.
			Authorized	Robert Dicken	
	Parts / Seat Bracket		Qty-2		



<b>SPIDERCARTS</b>	11		Ver.	0.1.2.6	Copyright is the property of Spidercarts and shall not be reproduced.
			Authorized	Robert Dicken	
	Parts Labeled			Total	



<b>SPIDERCARTS</b>	12		Ver.	0.1.2.6		Copyright is the property of Spidercarts and shall not be reproduced.
			Authorized	Robert Dicken		
		Dimensions			Total	

# Itzy Bitzy Parts List

These parts are listed as reference only!

Please make sure the parts you purchase are the ones you need to fit your project as parts and prices may have changed.

Qty	Item	Price	Total	Vendor
3	4.10/3.50 Tire/Rim Assembly 4" Rim	\$29.95	\$89.85	BMI Karts
1	Tire/Sprocket Assembly 4" Rim	\$39.95	\$39.95	BMI Karts
1	Kill Switch	\$3.00	\$3.00	BMI Karts
2	Foot Pedals	\$5.95	\$11.90	BMI Karts
1	Shock Mounting Tab - (Used for lower steering bracket)	\$5.00	\$5.00	BMI Karts
1	Brake Rod	\$6.95	\$6.95	BMI Karts
1	Throttle Kit	\$4.95	\$4.95	BMI Karts
1	6" Brake Drum	\$11.95	\$11.95	BMI Karts
1	6" Band Brake	\$10.95	\$10.95	BMI Karts
2	5/8-18 Spindle Bolt (welded on the back for your axles)	\$1.60	\$3.20	BMI Karts
1	Go Kart Bucket Seat	\$84.95	\$84.95	BMI Karts
2	Plastic Steering Block - Used for Lower & Upper	\$3.00	\$6.00	BMI Karts
1	Steering Wheel 10"	\$21.99	\$21.99	BMI Karts
1	Motor Mount 12" x 5"	\$5.95	\$5.95	BMI Karts
1	Keystock	\$1.45	\$1.45	BMI Karts
1	5/16-24 Tie Rod Kit	\$8.49	\$8.49	BMI Karts
1	Spindle Set	\$32.95	\$32.95	BMI Karts
1	3/4 Bore Clutch \$19.95 #35	\$19.95	\$19.95	BMI Karts
5	Chain \$2.00/ft. x 5ft.	\$2.00	\$10.00	BMI Karts
1	Steering Shaft Kit 25" (cut to 16.5")	\$13.95	\$13.95	BMI Karts
1	Steering Nut	\$6.50	\$6.50	BMI Karts
1	Steering Wheel Hub	\$8.79	\$8.79	BMI Karts
1	3.5hp Briggs & Stratton Horizontal Shaft #92232-1247	\$195.00	\$195.00	Small Engine Warehouse
<b>Total Price w/o Shipping</b>			<b>\$603.67</b>	

# Itzy Bitzy Go-Kart Frame

[www.spidercarts.com](http://www.spidercarts.com)

## Online Resources

---

Here are some of the best place we have found to get the parts needed to finish your kart. All of the parts needed can be purchased from these locations...

[www.bmikarts.com](http://www.bmikarts.com)

[www.gokartsupply.com](http://www.gokartsupply.com)

[www.mfgsupply.com](http://www.mfgsupply.com)

[www.jackssmallengines.com](http://www.jackssmallengines.com)

[www.gokartnminibikeparts.com](http://www.gokartnminibikeparts.com)

Copyright © 2001 [Spidercarts.com]. All rights reserved.

Revised: 02/23/08..

Thank you for your business.

I hope you have found these plans to be helpful and complete.

Building go karts can be a very rewarding hobby.

As always please use caution when riding your new go kart and be safe.

Please check back with our website as we are always adding new products.

<b>SPIDERCARTS</b>			<b>Ver.</b>	<b>0.1.2.6</b>	<b>Copyright is the property of Spidercarts and shall not be reproduced.</b>
			<b>Authorized</b>	<b>Robert Dicken</b>	
	<b>THANK YOU</b>				